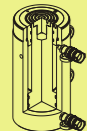


## RSAR Series



Capacity:  
**50-150 tons**

Stroke:  
**50-150 mm**

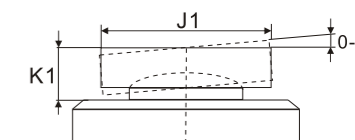
Maximum Operating Pressure:  
**700 bar**

## RSAR 液壓雙動，鋁合金千斤頂

- 鋁合金設計，質輕易攜帶
- 7075-T6鋁合金材質，能以最小重量承最大能力
- 墊塊及缸底墊塊預防荷重的危險
- 主軸及缸壁內外陽極處理防損耐磨且延長使用壽命。
- 內置安全洩壓閥防止超壓損壞
- 多層油封設計，預防金屬材質間互相磨擦，防止側向荷載受損
- 上螺帽保護主軸超揚昇
- 缸底墊塊、提把及鞍座均可拆卸，可在空間受限時拆除使用
- 各型號均含SQB-3/8UF快速接頭及防塵蓋
- 外表雷射刻字

### Double-Acting, Aluminum Cylinders

- ※Lightweight, aluminum design for maximum portability.
- ※7075-T6 Aluminum alloy components for maximum strength and minimum weight.
- ※Steel base plate and saddle for protection against load-induced damage.
- ※Anodizing treatment plunger, surfaces and inner of barrel resists damage and extends cylinder life.
- ※Built-in safety valves protect against over pressurizing.
- ※Composite bearings prevent metal-to-metal contact, increasing cylinder life and resistance to side-load.
- ※Stop ring for piston blow-out protection.
- ※Removable hardened saddle, handle and steel baseplate, which can be removed to use in limit space.
- ※SQB-3/8UF coupler and dust cap are included on all models.
- ※Laser carve on surface.



### 墊塊/鞍座 Saddle

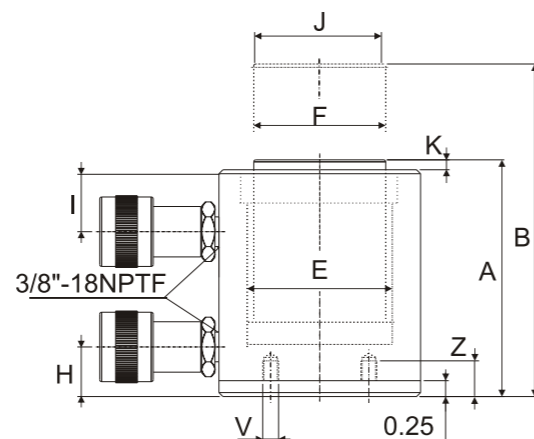
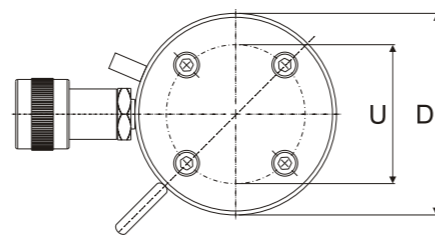
RSAR-系列 均配有高硬度可移除式溝槽墊塊於起重時具防滑作用。偏心起重時請選用傾斜墊塊。

RSAR-Series are equipped with hardened removable "Ribbed saddles" to prevent slippage during jacking. For off-centre loading application, see optional tilting saddle.

### 缸底墊塊 Steel Base Plate

- 缸底墊塊作用於保護油壓缸底座免於損壞；不可任意移除。
- 千萬不要使用這些螺孔來安裝其他配件或設備在油壓缸上。

※ Do not remove steel base plate in order to protect the cylinder base.  
※ No attachment to be used on base holes of the Aluminum cylinders.



### 缸底墊塊底座螺孔 Steel Base Plate Mounting Holes

Cylinder Model/ Capacity	Bolt Circle	Thread	Thread Depth
型號-能力 (tons)	底座孔距 U (mm)	底座螺紋 V (mm)	螺紋深度 Z (mm)
RSAR-50	110	M6	12
RSAR-100	165	M6	12
RSAR-150	200	M6	12

\*含缸底墊塊高0.25" \*Including Base Plate Height of 0.25".  
\*4缸底墊塊螺孔:M6x1.0x0.24 \*4 base plate bolts:M6X1.0X0.24

### 選配螺柱式傾斜墊塊尺寸 Optional Bolt Tilt Saddle Dimensions (mm)

Cylinder Model/Cap.	Model Number	Saddle Diameter	Saddle Protrusion from Base
油壓缸 型號-能力 (tons)	墊塊型號	墊塊尺寸 J1	墊塊突出高度 K1
RSAR-50	XKCATRSAC-50	50.0	25.9
RSAR-100	XKCATRSAC-100	91.2	33.0
RSAR-150	XKCATRSAC-150	118.1	37.0

提把型式 Handle type
(S) : 標準配件 standard equipped
(O) : 選配 option
● 焊接提把 Weldable
★ 吊環螺栓 Eyebolt
▲ 活動提把 Removable strap handle
■ 螺牙式活動提把 Thread

Handle type	Model Number	Cylinder Capacity	Stroke	Maximum Cylinder Capacity		Cylinder Effective Area		Oil Capacity	
				push 推	pull 拉	push 推	pull 拉	push 推	pull 拉
提把型式	型號	能力 ton (kN)	揚程 (mm)	最大出力 (kN)		受壓面積 (cm <sup>2</sup> )		使用油量 (cm <sup>3</sup> )	
■	RSAR-502	50 (496)	50	496	187	70.9	26.7	354	134
	RSAR-504		100	496	187	70.9	26.7	709	267
	RSAR-506		150	496	187	70.9	26.7	1063	401
■	RSAR-1004	100 (1002)	100	1002	557	143.1	79.5	1431	795
	RSAR-1006		150	1002	557	143.1	79.5	2147	1193
	RSAR-1008		200	1002	557	143.1	79.5	2863	1590
■	RSAR-1506	150(1589)	150	1589	924	227.0	132.0	3405	1980

Collapsed Height	Extended Height	Outside Diam.	Cylinder Bore Diam.	Plunger Diam.	Base to Adv. Port	Top to Retract Port	Saddle Diam.	Saddle Protrusion from Plngr.	Weight
本身高 A (mm)	伸長總高 B (mm)	外徑 D (mm)	內徑 E (mm)	主軸直徑 F (mm)	底部前進油孔位置 H (mm)	頂部回油油孔位置 I (mm)	墊塊直徑 J (mm)	凸出高度 K (mm)	重量 (kg)
201	251	145	95	75	30	56	50	3	11.1
251	351	145	95	75	30	56	50	3	12.7
301	451	145	95	75	30	56	50	3	14.3
301	401	185	135	90	43	80	94	3	19.3
351	501	185	135	90	43	80	94	3	22.2
401	601	185	135	90	43	80	94	3	25.1
348	498	230	170	110	38	75	113	3	33.2